

MAIN FEATURES

Thanks to the stainless steel enclosure, the encoder is suitable for food and beverage machinery, cranes and winches for ships, offshore applications, washing systems and all those environments where high corrosion resistance is required.

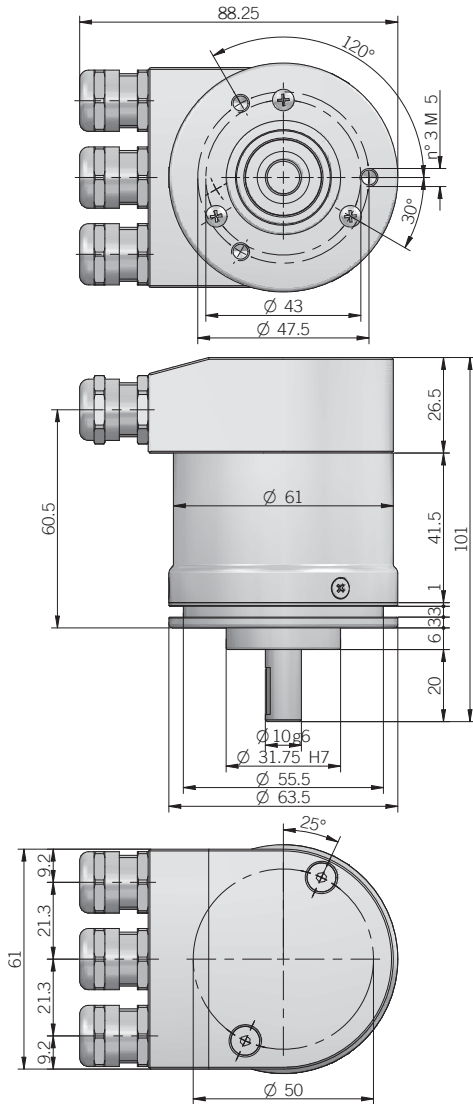
- Up to 13 bit
- Up to IP 66 sealing



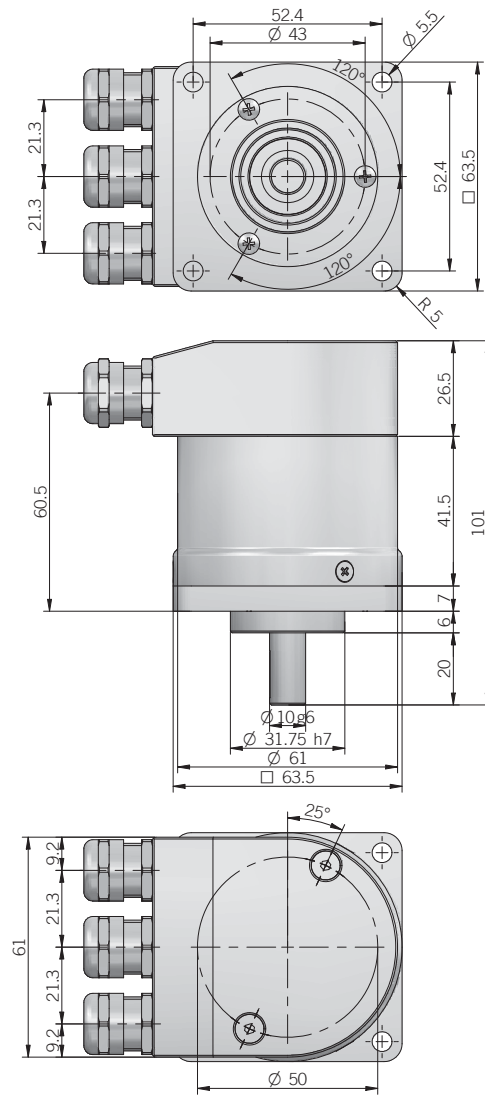
ORDERING CODE

| | |
|---|--|
| EA 63 AX 1024 B 12/28 F X X 6 S 3 P3R . XXX | |
| SERIES singleturn absolute encoder EA | VARIANT XXX custom version |
| SIZE mm 63 | OUTPUT TYPE P2R 2-SKINTOP® output radial P3R 3-SKINTOP® output radial S3R 3-connector output radial |
| TYPE stainless steel A model AX stainless steel D model DX | MAX ROTATION SPEED 3 3000 rpm |
| RESOLUTION ppr from 1 to 8192 <i>please directly contact our offices for pulses availability</i> | ENCLOSURE RATING S IP 66 |
| CODE binary B | SHAFT DIAMETER 6 mm 8 mm 9 mm (9.52 mm 3/8") 10 mm |
| POWER SUPPLY 12 ... 28 V DC 12/28 | OPTION X unused option |
| OUTPUT TYPE PROFIBUS® DP F | LOGIC X unused option |

EA 63 AX



EA 63 DX



Electrical specifications

| | |
|---|--|
| Resolution | up to 8192 ppr (programmable) |
| Power supply | 12 ... 28 V DC |
| Current consumption without load | 300 mA max |
| Electronic interface | PROFIBUS® DP |
| Diagnostic features | frequency warning position warning / alarm <i>please refer to the installation guide for more informations</i> |
| Max symbol rate | 12 MBd |
| Electromagnetic compatibility | IEC 61000-6-2 IEC 61000-6-3 |

Output connections for PROFIBUS® DP encoder

| Function | S3 connector 5-pin (power supply) | S3 connector 5-pin (line out) | S3 connector 5-pin (line in) |
|----------------|---|-------------------------------------|------------------------------------|
| + Vdc | 2 | | |
| 0 Volt | 4 | | |
| signal A (out) | | 2 | |
| signal B (out) | | 4 | |
| signal A (in) | | | 2 |
| signal B (in) | | | 4 |

Mechanical specifications

| | |
|------------------------------|----------------------------------|
| Shaft diameter | 6 / 8 / 9.52 / 10 mm |
| Enclosure rating | IP 66 |
| Max rotation speed | 3000 rpm |
| Shock | 50 G, 11 ms (IEC 60068-2-27) |
| Vibrations | 10 G, 10÷2000 Hz (IEC 60068-2-6) |
| Bearings | n° 2 ball bearings |
| Bearings life | 10 ⁹ revolutions |
| Body material | stainless steel UNI X10CrNiS1809 |
| Shaft material | stainless steel UNI X10CrNiS1809 |
| Housing material | stainless steel UNI X10CrNiS1809 |
| Operating temperature | 0° ... +60 °C |
| Storage temperature | -15° ... +70 °C |
| Weight | 900 g |