

MAIN FEATURES

Thanks to the stainless steel enclosure, the encoder is suitable for food and beverage machinery, cranes and winches for ships, offshore applications, washing systems and all those environments where high corrosion resistance is required.



MULTITURN ABSOLUTE ENCODERS

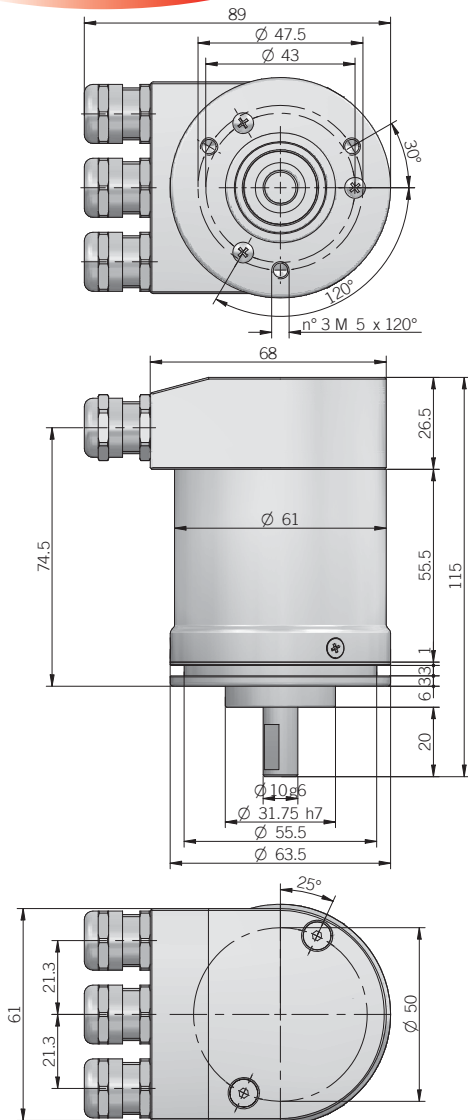
ORDERING CODE

EAM 63 AX 4096 / 8192 B 12/28 F X X 6 S 3 P3R . XXX

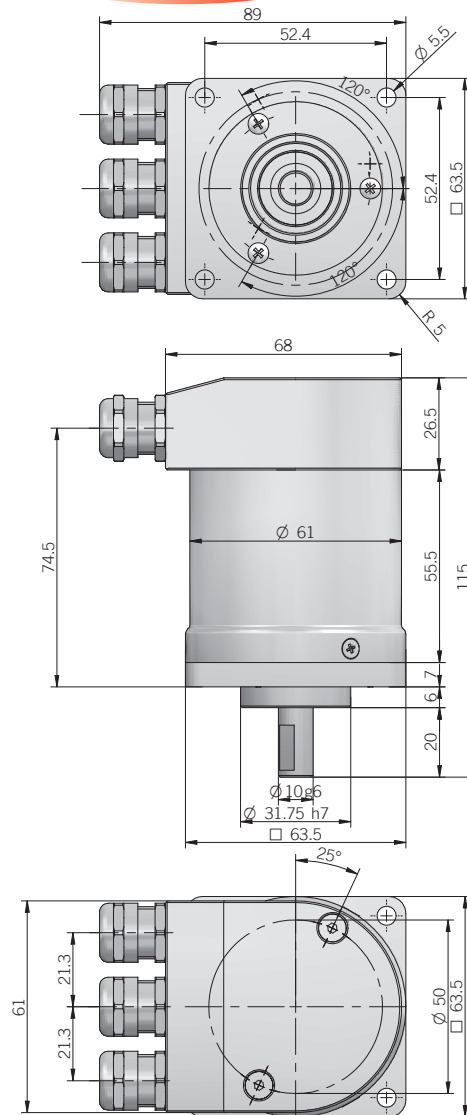
SERIES multiturn absolute encoder EAM	SIZE mm 63	TYPE OF FLANGE stainless steel A model AX stainless steel D model DX	REVOLUTIONS (powers of 2) from 2 to 4096	RESOLUTION (powers of 2) ppr from 1 to 8192 <i>please directly contact our offices for pulses availability</i>	CODE binary B	POWER SUPPLY 12 ... 28 V DC 12/28	OUTPUT TYPE PROFIBUS® DP F	VARIANT XXX custom version	OUTPUT TYPE P2R 2-SKINTOP® output radial P3R 3-SKINTOP® output radial S3R 3-connector output radial	MAX ROTATION SPEED 3 3000 rpm	ENCLOSURE RATING S IP 66	SHAFT DIAMETER 6 mm 8 mm 9 mm (9.52 mm 3/8") 10 mm	OPTION X unused option	LOGIC X unused option
--	-----------------------------	---	--	---	--------------------------------	--	---	---	--	--	---	---	---	--

EAM 63 AX / DX PROFIBUS

EAM 63 AX



EAM 63 DX



Electrical specifications

Resolution	up to 8192 ppr (programmable)
Revolutions	up to 4096 (programmable)
Power supply	12 ... 28 V DC
Current consumption without load	300 mA max
Electronic interface	PROFIBUS® DP
Diagnostic features	frequency warning position warning / alarm <i>please refer to the installation guide for more informations</i>
Max symbol rate	12 MBd
Electromagnetic compatibility	IEC 61000-6-2 IEC 61000-6-3

Output connections for PROFIBUS® DP encoder

Function	S3 connector 5-pin (power supply)	S3 connector 5-pin (line out)	S3 connector 5-pin (line in)
+ Vdc	2		
0 Volt	4		
signal A (out)		2	
signal B (out)		4	
signal A (in)			2
signal B (in)			4

Mechanical specifications

Shaft diameter	6 / 8 / 9.52 / 10 mm
Enclosure rating	IP 66
Max rotation speed	3000 rpm
Shock	50 G, 11 ms (IEC 60068-2-27)
Vibrations	10 G, 10÷2000 Hz (IEC 60068-2-6)
Bearings	n° 2 ball bearings
Bearings life	10 ⁹ revolutions
Body material	stainless steel UNI X10CrNiS1809
Shaft material	stainless steel UNI X10CrNiS1809
Housing material	stainless steel UNI X10CrNiS1809
Operating temperature	0° ... +60 °C
Storage temperature	-15° ... +70 °C
Weight	1000 g