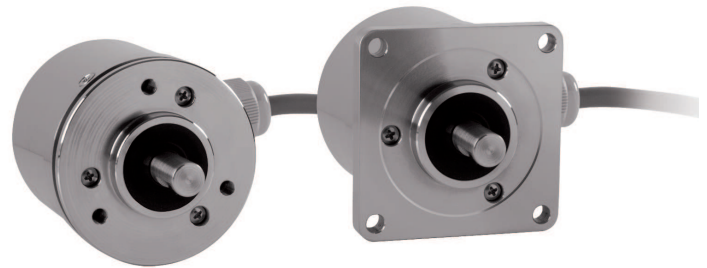


MAIN FEATURES

Thanks to the stainless steel enclosure, the encoder is suitable for food and beverage machinery, cranes and winches for ships, offshore applications, washing systems and all those environments where high corrosion resistance is required. EAM 63 AX / DX is available with SSI output.

- Maximum frequency 1 MHz
- Up to IP 66 sealing



MULTITURN ABSOLUTE ENCODERS

ORDERING CODE

EAM 63 AX 4096 / 4096 G 8/28 S X X 10 S 3 PCR . XXX

SERIES
multiturn absolute encoder **EAM**

SIZE
mm **63**

TYPE OF FLANGE
stainless steel A model **AX**
stainless steel D model **DX**

REVOLUTIONS
2 / 4 / 8 / 16 / 32 / 64 / 128 /
256 / 512 / 1024 / 2048 / 4096

RESOLUTION
2 / 4 / 8 / 16 / 32 / 64 / 128 / 256 / 512 /
1024 / 2048 / 4096 / 8192
please directly contact our offices for pulses availability

CODE
Binary **B**
Gray (standard) **G**

POWER SUPPLY
5 V DC **5**
8 ... 28 V DC **8/28**

OUTPUT TYPE
SSI **S**

VARIANTE
XXX variante particolare del Cliente

OUTPUT TYPE
PCR radial cable output with SKINTOP® (standard length 1.5 m) (12-core)

MAX ROTATION SPEED
3 3000 rpm

ENCLOSURE RATING
S IP 66

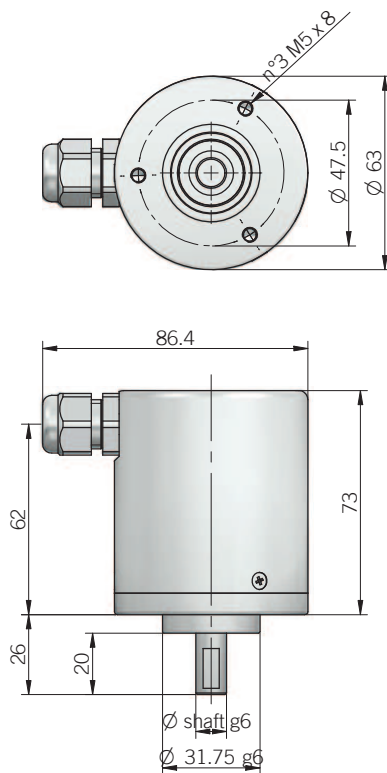
SHAFT DIAMETER
6 mm
8 mm
9 mm (9.52 mm 3/8")
10 mm

OPTION
X unused option

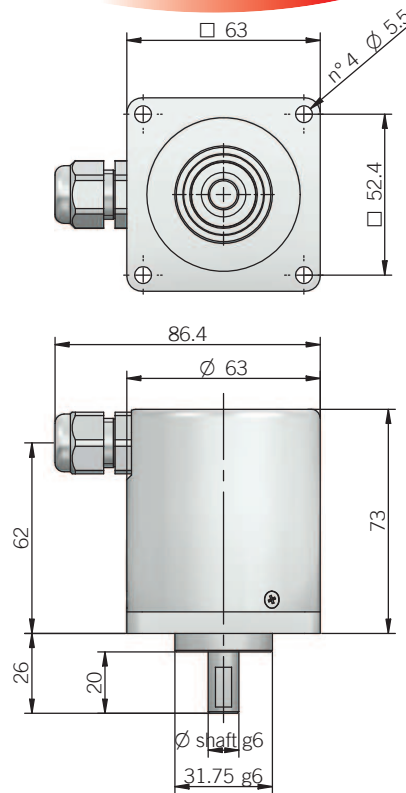
LOGIC
X unused option

EAM 63 AX / DX

EAM 63 AX



EAM 63 DX



Electrical specifications

Revolutions	2 / 4 / 8 / 16 / 32 / 64 / 128 / 256 / 512 / 1024 / 2048 / 4096
Resolution	2 / 4 / 8 / 16 / 32 / 64 / 128 / 256 / 512 / 1024 / 2048 / 4096 / 8192
Power supply	5 V DC \pm 10% 8 ... 28 V DC \pm 5%
Current consumption without load	< 100 mA
Electronic interface	RS422 SSI
Auxiliary inputs (U/D)	active high (+Vdc) connect to 0V if not used
SSI frequency	100 kHz \div 1 MHz
Monostable time (Tm)	10 \div 25 μ s
Time between two clock sequences (Tp)	> 35 μ s
Accuracy	+/- 1/2 LSB
Counting direction	decreasing clockwise (shaft view)
Start-up time	< 150 ms
Electromagnetic compatibility	IEC 61000-6-2 IEC 61000-6-3

Mechanical specifications

Shaft diameter	6 / 8 / 9.52 / 10 mm
Enclosure rating	IP 66 (IEC 60529)
Max rotation speed	3000 rpm
Max shaft load	100 N (10 Kfg) axial / radial 10 N (1 Kfg) axial with ϕ 6 shaft 20 N (2 Kfg) radial with ϕ 6 shaft
Shock	50 G, 11 ms (IEC 60068-2-27)
Vibrations	10 G, 10 \div 2000 Hz (IEC 60068-2-6)
Bearings	n° 2 ball bearings
Bearings life	10 ⁹ revolutions
Body material	stainless steel UNI X10CrNiS1809
Shaft material	stainless steel UNI X10CrNiS1809
Housing material	stainless steel UNI X10CrNiS1809
Operating temperature	0° ... +60 °C
Storage temperature	-15° ... +70 °C
Weight	650 g

Output connections for SSI encoder

Function	12 wire cable colours
+ Vdc	red
0 Volt	black
U / D	red-blue
dato +	green
dato -	brown
clock +	yellow
clock -	orange or pink
\perp	shield